

MOST ECONOMIC POOL LIFT IN THE MOMENT



MOBILE POOL LIFT

PORTABLE POOL LIFTS



ecopass





Certifications and Patent

- Directive 93/42/EEC - Medical Devices - DM 1641494/R
- Directive 2006/42/EC - Machinery Directive
- Directive 2004/108/EC - EMC Electromagnetic Compatibility
- UNI EN ISO 10535 Certification



ECOPOOL DiGi Project's latest product, has been designed to solve the problems related to water accessibility in a cost-effective way. CEDAS focused on the ESSENTIAL elements to ensure good performance in terms of **reliability** and **safety** for the users at a reasonable cost.



Specifications for Ecopool

- Maximum capacity: 136 kg
- Maximum arm travel: 1260 mm
- Seat depth into the water: 650 mm
- Time of lowering into the water with weight: 20 s
- Time of lifting with weight: 25 s
- Weight of the machine: 135 kg
- Battery: 12 V
- Power: 24 V

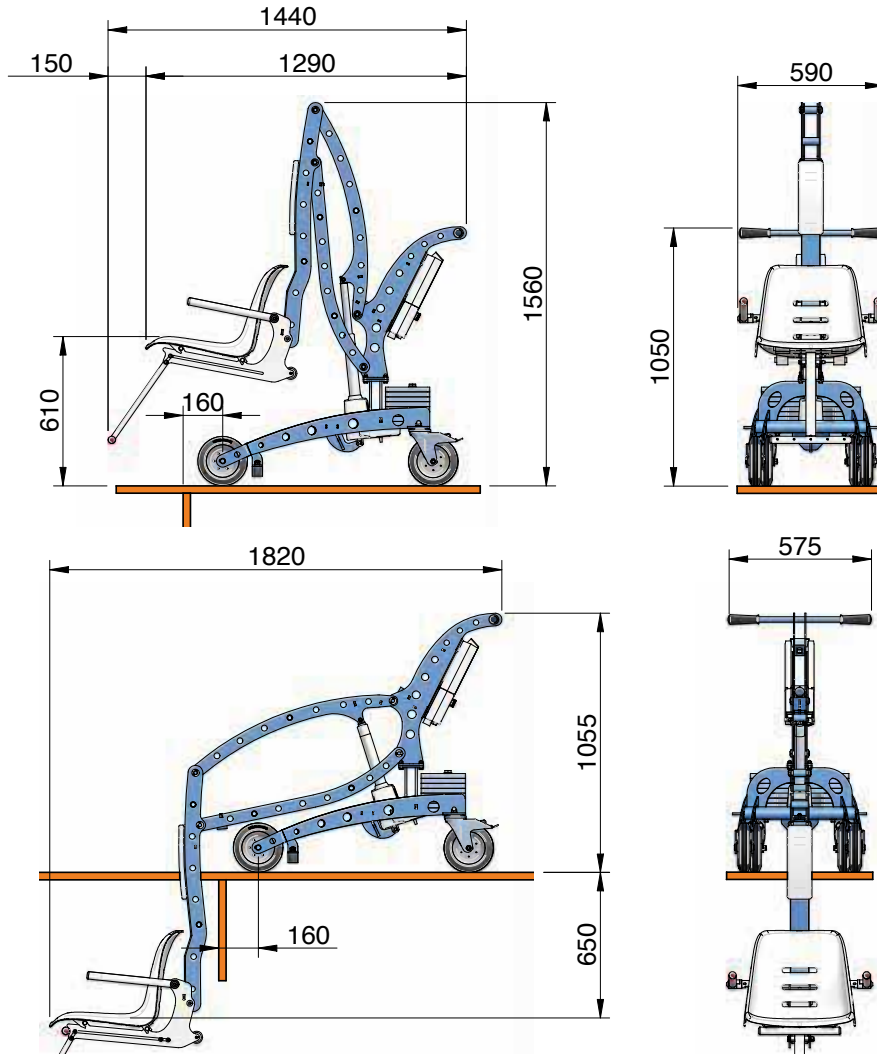
ECOPOOL TECHNICAL SPECIFICATIONS

- Mobile push-button panel with spiral cable IPX06 for the up and down movements from the water.
- 4 wheels with 200 mm diameter.
- Service brake on rear wheels.
- Headrest included.
- Removable leg support.
- Emergency mushroom shape button.
- Removable battery for charging.
- External battery charger.
- Autonomy: 60 complete work cycles.
- Safety front rubber stoppers.
- Painted stainless steel frame for the parts in contact with water.
- 180 °C powder coating.
- 2 point safety belts.
- Pivoting rear wheels.

OPTIONAL

- 4 point harness
- 5 point harness
- Cover

Ingombri
Measurements





CEDAS ELEVATORS & FABRICATION LLC

P.O. Box: 8190

Ajman, U.A.E.

Tel.: +971 6 743 7667

Fax: +971 6 748 4131

sales@cedas-uae.com

www.cedas-uae.com

