

FULLY AUTOMATIC PORTABLE POOL LIFT

PORTABLE POOL LIFTS

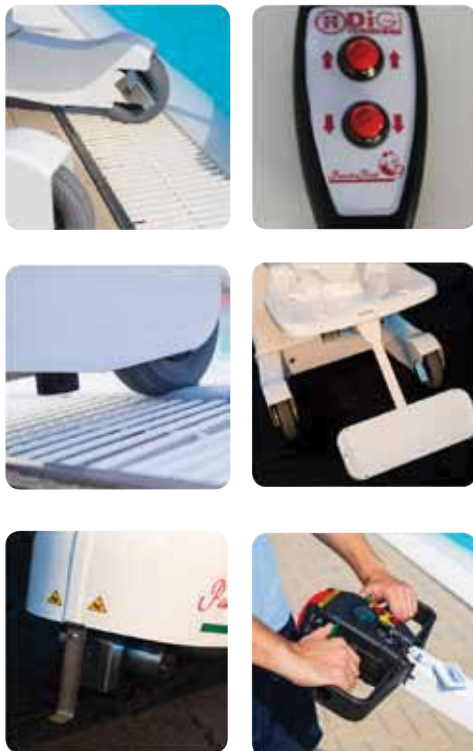


## PORTABLE POOL LIFTS

*Powered portable PandaPool lift, avant-garde technology.*

### **Certifications and Patent**

- Patent MN2013U1
- Directive 93/42/CEE - Medical Device - DM 1087746/R
- Directive 2006/42/CE - Machine Directive
- Directive 2004/108/EC - EMC Electromagnetic Compatibility
- European registered design N.0021782020001

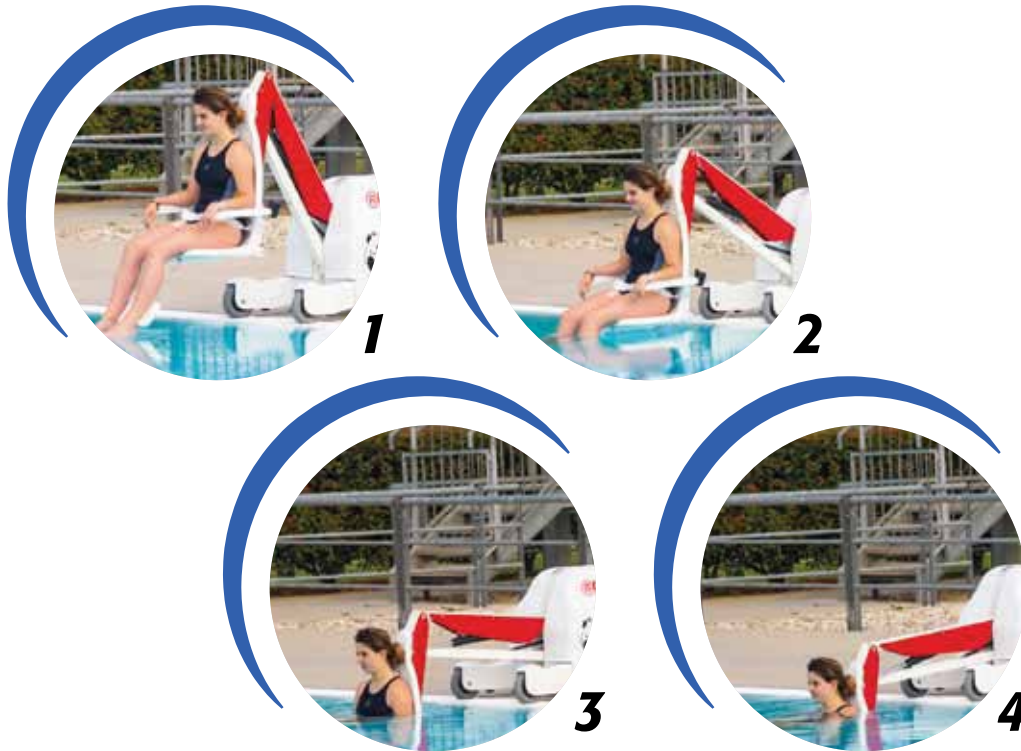


**Powered Portable  
PandaPool lift,  
avant-garde technology**

***A Real Dream!***

**PandaPool, fully  
automatic  
mobile pool lift:**

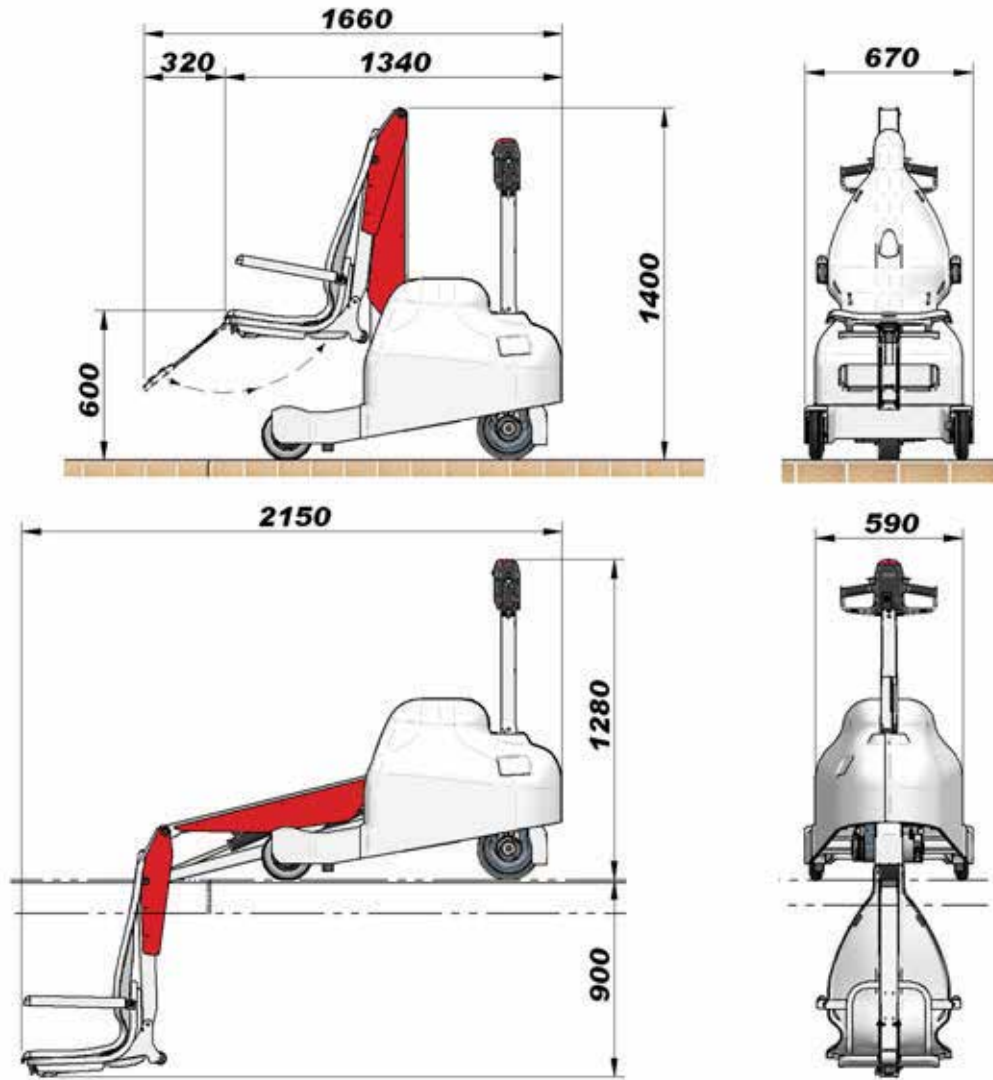
It is innovative in its features thanks to the control bar with automatic traction, no efforts required for the operator. Improved autonomy and capacity up to 150 kg. Maximum safety degree thanks to 8 safety levels. All this makes PandaPool the universal reference for pool lifts.



### *Specifications for PandaPool*

- Lifting capacity 145 kg
- Max arm travel: 1500 mm
- Depth of seat inside the water : 900 mm
- Time of lowering with weight: 25 sec.
- Time of lifting with weight: 18 sec
- Weight : 260 kg
- 2 speed automatic handling
- Autonomy: 100 working cycles
- Automatic bar, forward motion by up and down control levers, battery charge level indicator and emergency button
- Rotating drive wheel radius: 200°
- Hydroelectric box
- Manual emergency operation system in case of failure of electric system
- Automatic braking system integrated in the wheel
- Safety braking system by means of automatic stoppers to prevent from excessive approach to the water
- Infrared ground detector
- Safety motion system by means of vertical bar switch off
- Battery 24V
- Battery charger
- Zinc coated steel frame + 180° powder coating finish
- 2 point safety belt
- 4 or 5 point safety belts (on request)
- Headrest
- Removable leg support
- Ground fixing kit (on request)
- Handset to control up and down movements (on request)
- Cover (on request)

Measurements



**CEDAS ELEVATORS & FABRICATION LLC**

P.O. Box: 8190

Ajman, U.A.E.

Tel.: +971 6 743 7667

Fax: +971 6 748 4131

[sales@cedas-uae.com](mailto:sales@cedas-uae.com)

[www.cedas-uae.com](http://www.cedas-uae.com)