

LIFT BBO



115/125/140.80

CEDAS is specialized in solutions to **overcome the architectural barriers** especially in transportation and to this purpose it offers a range of products which becomes wider and wider.

All **CEDAS** products are good solutions for the **adaptation of special vehicles** like ambulances, vehicles for disabled people, buses, taxis and commercial vans both for private or public usage.

All these devices enable the safe access and transportation in a comfortable way.



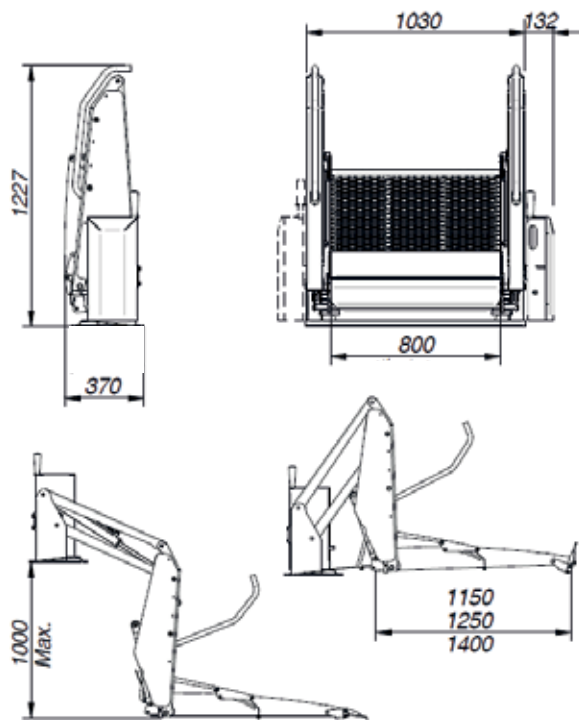
CEDAS products are all **CE** marked and are compliant with the applicable European Community directives. They are also compliant with the electromagnetic compatibility rules. Each of them is delivered to the customer with the necessary paperwork required by the **Quality System ISO 9001:2008** and **Certification for medical device ISO 13485:2012**.

TECHNICAL FEATURES

MAXIMUM CAPACITY	360 Kg
WEIGHT	135-140 Kg
POWER	12 V_24 V
SPEED UP (FULL CHARGE)	5 M/MIN
SPEED DOWN (FULL CHARGE)	4 M/MIN

SAFETY DEVICES

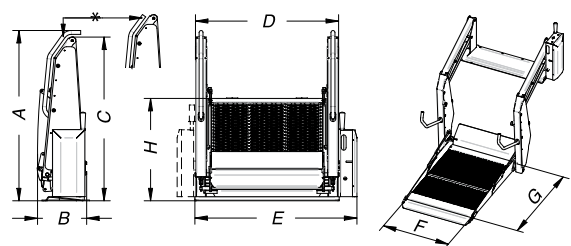
- Switch to detach battery with key.
- Manual operation in case of emergency.
- Automatic safety ramp to stop the wheelchair.
- Roll-over control device with pressure switch.



The automatic double arm platforms have been conceived for medium-large vehicles which are suitable to transport people.

VEHICLES:

Citroen Jumper, Fiat Scudo, Fiat Ducato, Ford Transit, Iveco Daily, Mercedes Sprinter Kombi, Opel Vivaro, Opel Movano, Peugeot Expert Tepee, Renault Trafic, Renault Master, Volkswagen Caravelle, Volkswagen Multivan, Volkswagen Crafter Kombi



PLATFORM DIMENSIONS

LIFT BBO	A	B	C	D	E	F	G
BBO 115.80	1227	370	1180	1030	1162	800	1150
BBO 125.80	1227	370	1180	1030	1162	800	1250
BBO 140.80	1227	370	1180	1030	1162	800	1400
BBO 140.90	1227	370	1180	1130	1262	900	1400



CEDAS ELEVATORS & FABRICATION LLC

P.O. Box: 8190

Ajman, U.A.E.

Tel.: +971 6 743 7667

Fax: +971 6 748 4131

sales@cedas-uae.com

www.cedas-uae.com